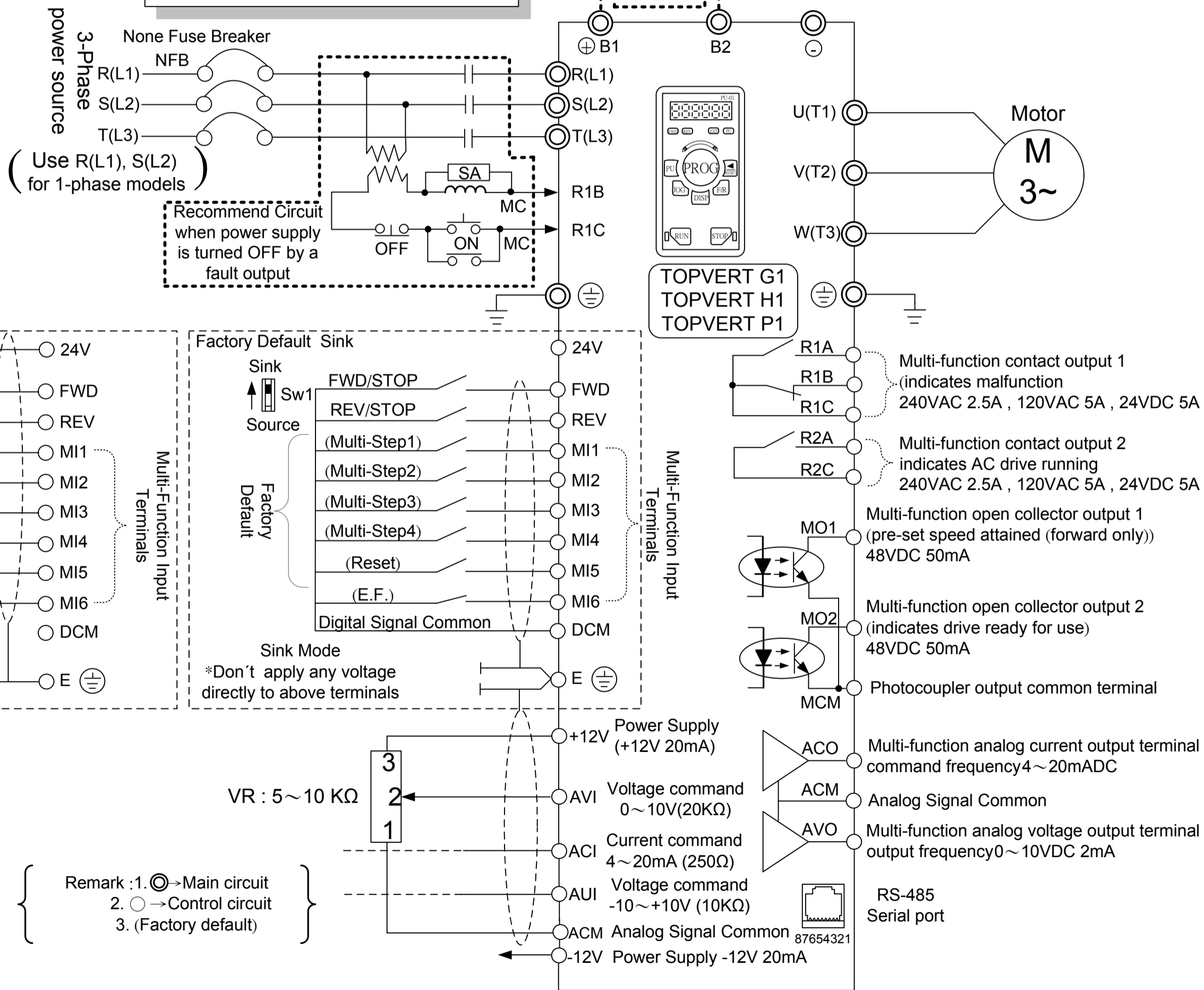


For models of Frame code:
G1-A , G1-B , H1-A , H1-B , P1-A , P1-B



* Definition on the Communication terminals :

pin1:Reserved pin2:Reserved pin3:GND pin4:SG- pin5:SG+ pin6:+5V pin7:Reserved pin8:Reserved